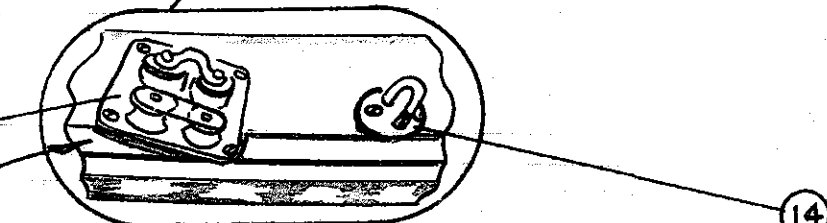
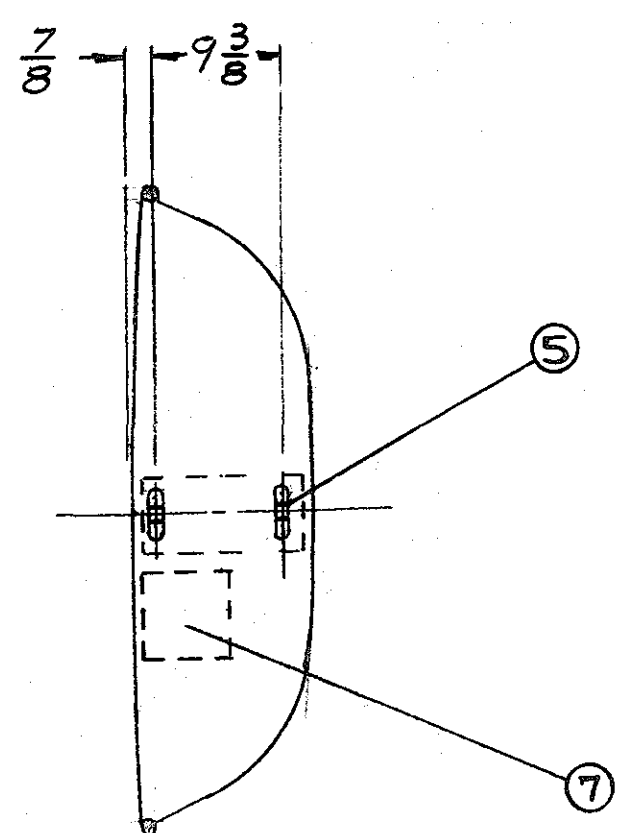
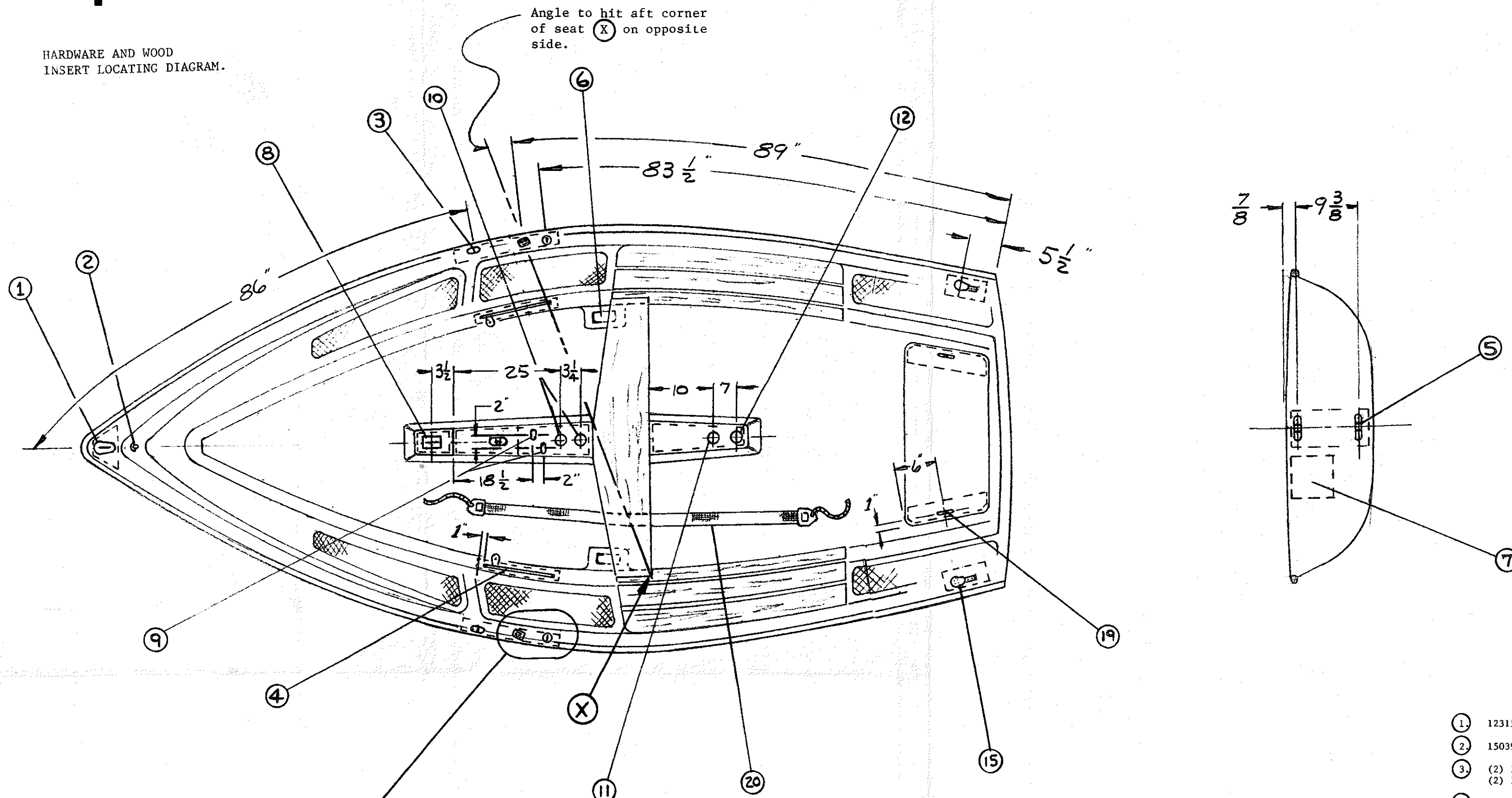
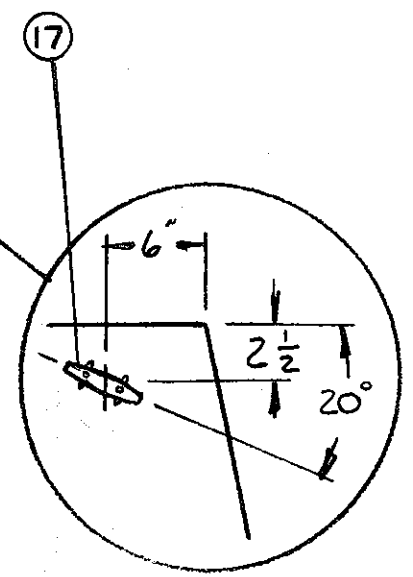
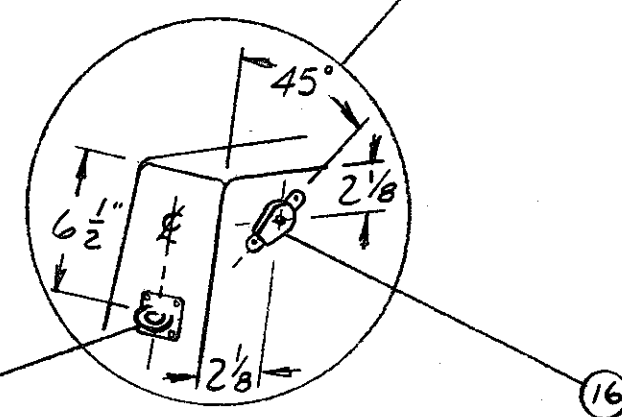
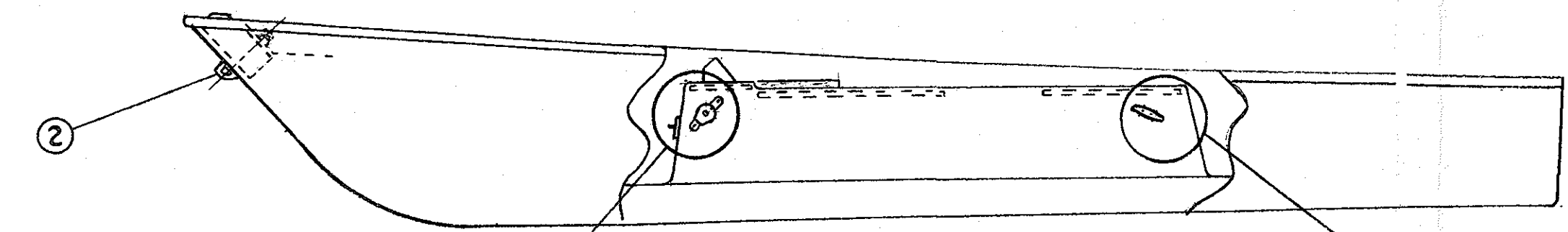


# Harpoon 4.6

HARDWARE AND WOOD  
INSERT LOCATING DIAGRAM.



Note: carefully cut-away flexible vinyl for installation of 13 as shown.



**LEGEND**

- ① 12315200 stemhead fitting (3/4 plywood within hull in area as shown).
- ② 15039000 bow eye/lifting eye.
- ③ (2) 12315900 chain plate (1/2 plywood 3 1/4 wide x 10" long)  
(2) 12316700 backup plate (directly beneath chain plate, under gun'1)
- ④ (2) 15058800 jib sheet block and track assembly.
- ⑤ (2) 12284500 gudgeon (1 1/2" plywood 6" wide x 14" long in transom).
- ⑥ (2) 12275200 drain fitting, thru-hull.
- ⑦ Pony motor wood. (1 1/2" plywood 8" wide x 7" long in transom).
- ⑧ 12288900 mast tabernacle (1/2 plywood in area shown)
- ⑨ (2) 12316500 cam cleat (1/2 plywood within entire top area of trunk as shown).
- ⑩ (2) 12289600 swivel cam cleat with fairlead eyestay (shares same insert wood as ⑨).
- ⑪ 12279900 becket block (shares same insert wood as ⑨).
- ⑫ 12280000 swivel base with camcleat (shares same insert wood as ⑨).
- ⑬ (2) 12281300 roller cam cleat (1/2 plywood 3 1/4 wide x 10" long)
- ⑭ (2) 12280800 spinnaker guyline hook (shares same insert wood as ⑬)
- ⑮ (2) 12280300 spinnaker sheet turning block (1/2 plywood 3 1/4 wide x 8" long)
- ⑯ (1) 12280200 cheek bullet block
- ⑰ (1) 12290400 cleat
- ⑱ (2) 12291400 pad eye  
(2) 12291500 pad eye (1/2" plywood 3 1/4 wide x 13" long)  
when cooler is installed, pad eye mounds on cooler cleat.)
- ⑳ 43026100 Strap, 2 pcs. 7' long  
12290300 Buckle (2)  
43026000 Rope, 4 pcs. 6' long.

These parts installed if boat has Spinnaker

These parts installed if boat has Hiking Straps