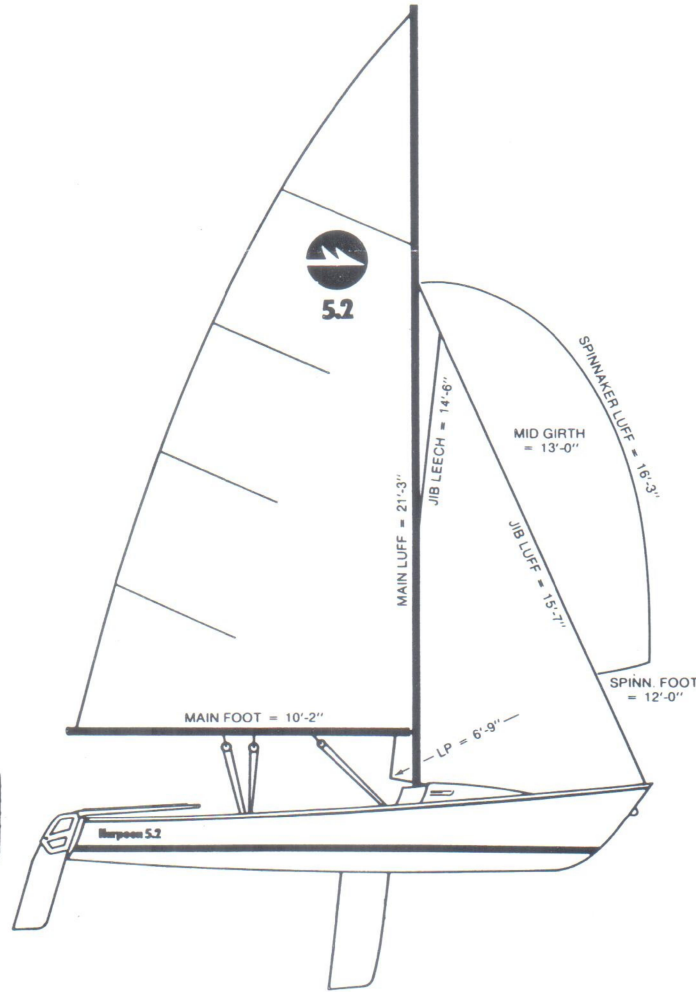


Harpoon 5.2



Features
Specifications
Parts List



Harpoon 5.2

Price List
Effective
Jan. 15, 1977



	Part #	Price
Standard Model		\$3650
Centerboard		
Centerboard assembly includes: centerboard blade, centerboard stop, pivot castings, rope, fastenings	15059300	128.00
Centerboard sheave box	2281800	20.00
Centerboard horizontal clam cleat	2281200	5.00
Centerboard bulls eye fair leads	3380600	2.00
TOTAL:		155.00

Rudder and Tiller Assembly		
Rudder/head/blade assembly includes: rudder head casting, shock cord, clam cleat, rudder blade spacers, fastenings, tiller with extension Set (2) pieces gudgeons with lag screws	15059400	155.00
TOTAL:		19.00
		174.00

Standing and Running Rigging Complete 169.00

Spinnaker Package 15033500 387.00

Compass with Special Release Base 15032900 83.00

Boom / Mast Support 62285300 50.00

Mast Complete 12281701 161.00

Boom with Boom Vang 12281702 92.00

Hiking Strap Kit 15033600 32.00

Storage Strap Kit 15033400 79.00

48 Qt. Cooler with Cleats 15051800 55.00

Cuddy Cushions 15033100 100.00

Cuddy Cover 15033000 44.00

Harken Hexaratchet Main Sheet Block
In place of standard 15033200 9.00
Add'l.

Shoreline Trailer w/galvanized chassis, wide rollers, caster jack, waterproof tail-lights, bearing buddies and wide flotation tires 725.00

Under Development
Pony motor bracket
Lifting sling
Trailer cover
Boom tent mooring cover
Rudder storage boot

Harpoon Sailboats, Boston Whaler, Inc.,
1149 Hingham St., Rockland, MA 02370
Telephone: (617) 871-1400
Telex: 940708



Prices subject to change without notice.

HCG 1/77 10M

It had to happen.

Sooner or later, Boston Whaler had to build a sailboat. A sailboat conceived and constructed as carefully and painstakingly as our world-famous powerboats. A C&C design, Harpoon 5.2 is everything a contemporary 17' sailboat should be. She is safe, comfortable and extremely durable. She is thoughtfully laid out with the finest hardware, line and sails. She is a snap to rig, easy to trailer and, most important, Harpoon 5.2 is a breeze to sail. She is a fun boat for sailers of all ages. Whether poking around the harbor, or planing to windward in flat-out competition. And to make her even more enjoyable, Harpoon 5.2 has been designed with a rigid emphasis on one-design integrity. Toward that end, the Harpoon 5.2 Class Association is now being formed.

Specifications

L.O.A.	17'	(5.2 meters)
L.W.L.	15'	
Beam	7'5"	
Draft	4½"	(board up)
	44"	(board down)
Hull weight	565 lbs.	
Sail Area	Main	108 sq. ft.
	Jib	52 sq. ft.
	Total	160 sq. ft.
Spinnaker		150 sq. ft.

Standard Equipment

Foam sandwich hull
Heavy duty rub rail
Air foil shape, foam-filled rudder
with custom rudder head casting
Rudder downhaul with tension uphaul
Airfoil shape, foam-filled centerboard with neutral bouyancy
Self-aligning centerboard hanger assembly
Bronze centerboard downstop
Centerboard uphaul and downhaul
Schaefer hardware
Harken mainsheet system
Kenyon "Hardcoat" foam-filled spars
Stainless steel ½" 1 x 19 standing rigging
Headstay turnbuckle
Shroud tensioners
Heavy duty gooseneck
Heavy duty spreaders
Boom vang
North sails and sail bag
Jiffy reef main
Jib window
Mainsail fiberglass battens
(top batten is a compression batten)
Cunningham
Adjustable main outhaul
Samson running rigging
Self-bailing cockpit
Elvström bailers
Trailing keel
Molded-in anchor locker
Teak trim
Bronze heavy-duty bow eye with lifting eye
Boom Crutch/Mast Support
Painters (2)
Stern towing eyes with lifting eyes

Specifications subject to change without notice.

Features

Foam Sandwich Construction

10-year structural hull warranty

7' 5" beam

C&C designed

Foam Sandwich rudder and centerboard

Cuddy cabin

Thwart seat

Anchor locker

Four cockpit storage compartments

Small skeg

Non-skid flat surfaces

Chrome-bronze bow eye/
towing eye

Heavy-duty rub rail

Neutral buoyancy when capsized

Black hard coat aluminum Kenyon spars

Harken mainsheet blocks and Schaefer hardware

North sails

Samson running rigging

Teak trim

Benefits

Safe, strong; unsinkable; self-bailing (at rest and underway)

Not restricted to original owner; investment protection; high resale value

Exceptional stability; large cockpit

Proven, respected yacht designers; planing hull; modern lines; reverse transom

Exceptional strength and rigidity; airfoil shape, kick-up rudder

Storage space; weather protection; provides footpath forward; complements appearance

Unique; comfortable; easy to slide across; positioned for ease of line handling

Also provides for convenient spinnaker storage

Abundance of storage; easily accessible

Easy to align on trailer

Sure-footing

Proven, rugged; easily reached towing eye

Resilient gunwale protection

Easy righting

Foam-filled to prevent turtling; easy rigging; simple, one-man operation

Top quality; durable; reliable; 2-year warranty

Famous for durability, quality, and design; 2-year warranty

Lowest stretch; abrasion resistant; easy to handle; color-coded

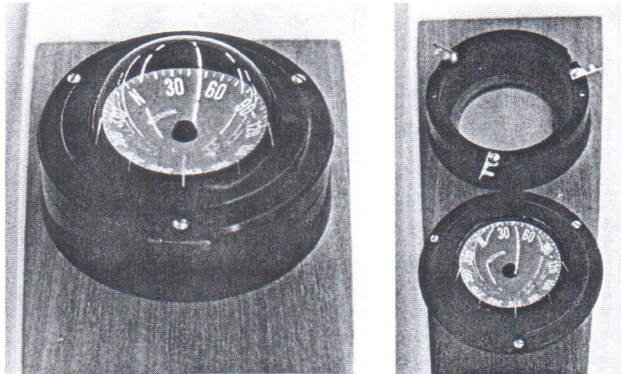
Lasting beauty; ease of maintenance

Optional Equipment

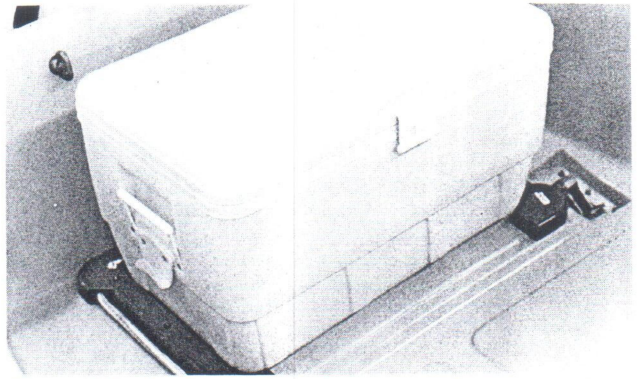
Spinnaker package — North Spherical head
Harken Hexaratchet mainsheet block
Ritchie HR-1 compass with special release base
Outboard motor bracket
Lifting sling
Hiking straps
Mooring cover / full-length boom cover
Cuddy cover
Cuddy cushions
Cuddy storage straps
Trailing cover
Rudder storage boot
Trailer
48 qt. cooler with mahogany floor cleats
Paddle/Boat Hook combination

Spinnaker Package: Consists of North Spherical Head spinnaker and all necessary equipment. Contents include: .75 oz. spinnaker of Howe and Bainbridge Stablecoat III cloth; Spinnaker pole; halyard; shock cord topping lift; downhaul; turning blocks; spinnaker guy fairleads; roller cam cleats; color-coded spinnaker lines; spinnaker sheet blocks.

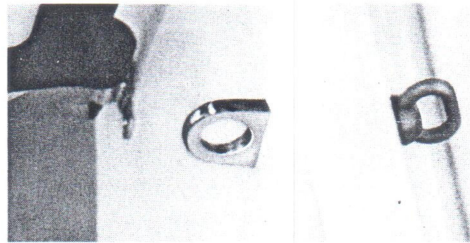
Harken Hexaratchet Mainsheet Block: Substitutes for standard non-ratcheting Harken block.



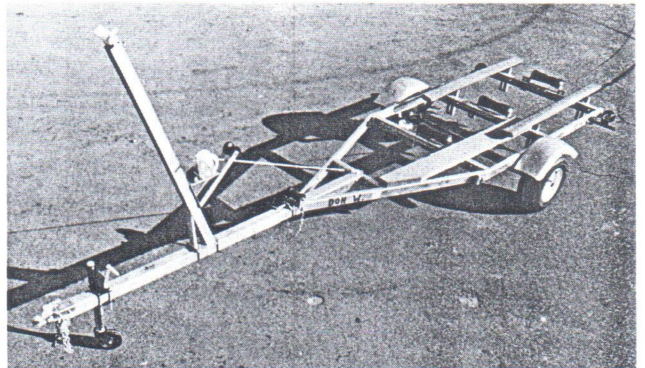
Compass: A high quality compass by Ritchie. The HR-1 has a high contrast 3½" blue card. A hooked lubber line is easily read from above the compass and 45° and 90° lubber lines offer tacking guidance. The HR-1 is internally gimballed allowing maximum heel angle without card drag. A special quick-release device allows easy removal.



48 Quart Cooler: Complete with custom designed cleats for securing cooler to the floor, yet easily removable for use ashore.



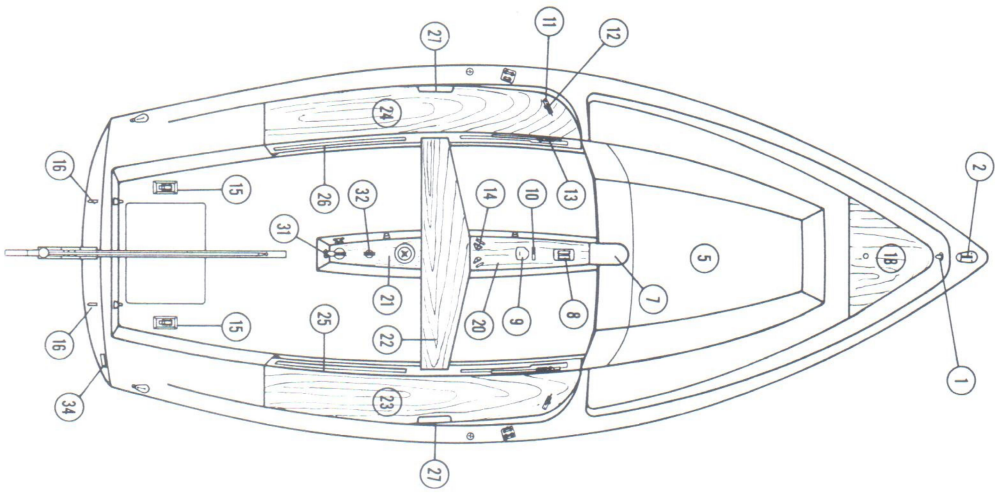
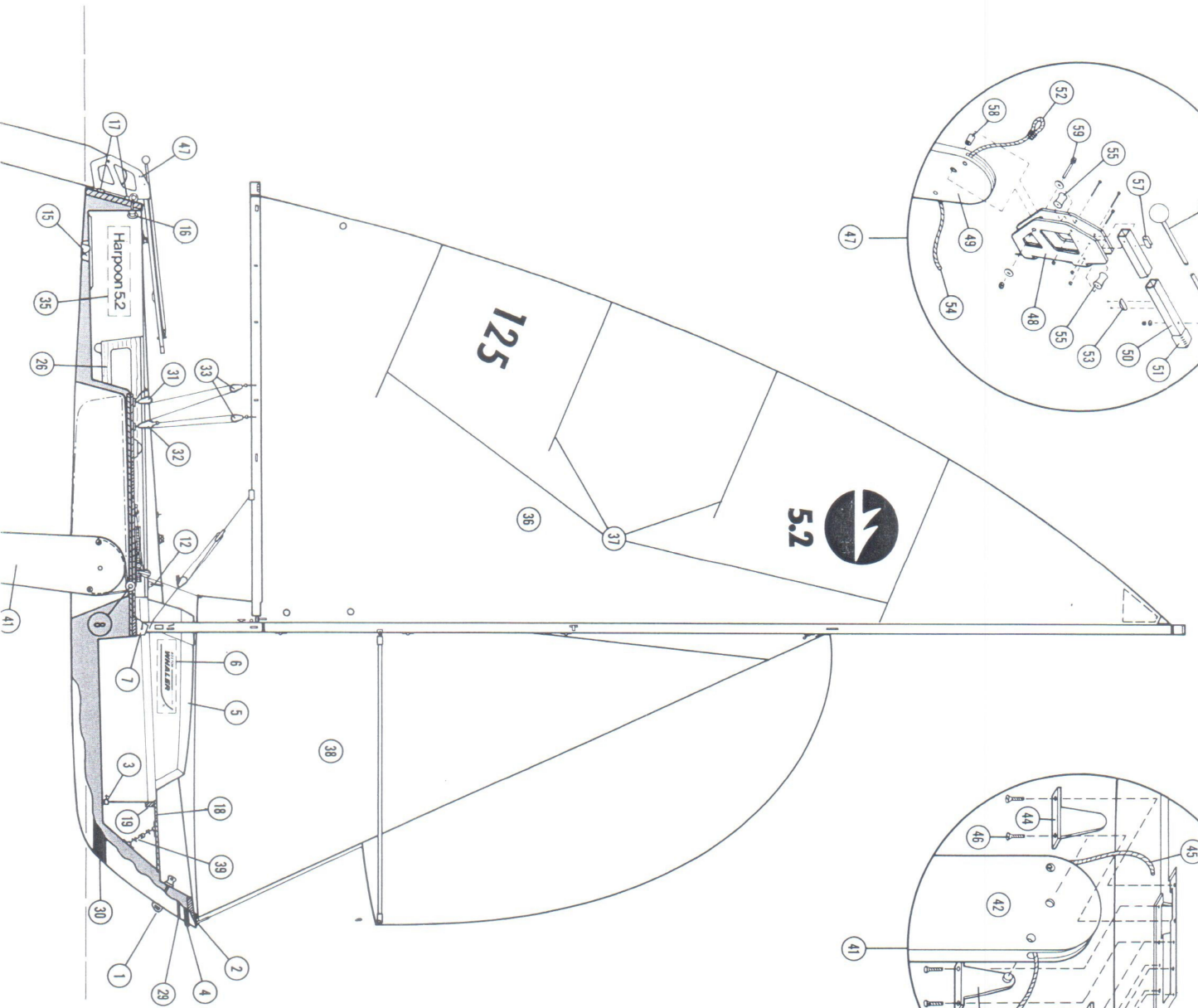
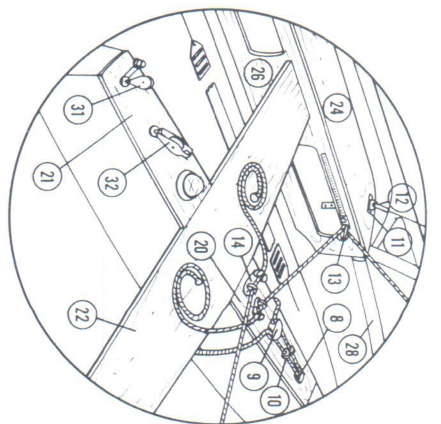
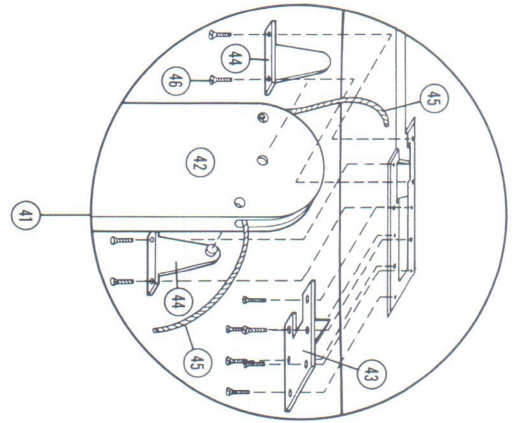
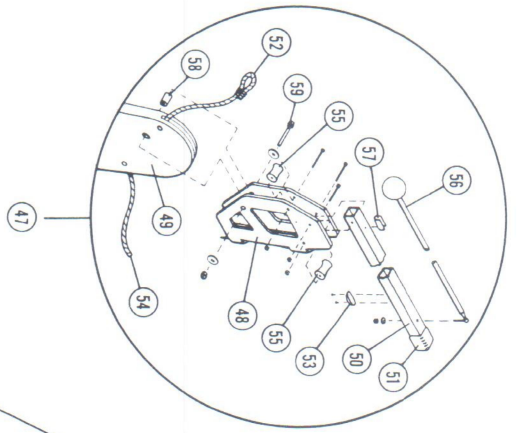
Stern Towing Eyes with Lifting Eyes: Heavy duty, chrome-plated bronze eyes for towing in tandem with cast bronze inboard eyes for lifting Harpoon 5.2 with a sling.



Trailer: This 1200 lb. capacity trailer offers many standard features which will make trailering Harpoon 5.2 enjoyable and carefree. Designed to make launching and loading simple—even from poor ramps. Features include:
A) Anti-Corrosion galvanized chassis
B) High flotation tires for beach launching
C) Chassis cat walk
D) Wheel bearing protectors (Buddy Bearings)
E) Waterproof taillights
F) Caster Jack — third wheel convenience
G) Oversized 12" keel rollers with Delrin bushings.

Parts List

Number	Description
1 15029100	Bow Eye/Lifting Eye
2 12280400	Stem Head Fitting
3 12018100	Drain Plug
4 15010500	Rub Rail Kit
5 15058700	Cuddy
6 12275300	Decal, Cuddy
7 12288900	Mast Tabernacle
8 12281800	Centerboard Pulley Fitting
9 12281200	Camcleat Horizontal
10 12280600	Fairlead Bullseye
11 12280700	Chainplate Cover
12 12280500	Chain Plate
13 15058800	Jib Sheet Block & Track Assembly
14 12289600	Jib Sheet Cam Cleat
15 12275200	Drain Fitting Hull (2)
16 15058900	Tow Eye w/Lifting Eye
17 12284500	Gudgeon (2)
18 62282200	Locker Cover
19 62005900	Cleat
20 62282300	Trunk Cover, Fwd.
21 62282500	Trunk Cover, Aft
22 62282500	Thwart Seat
23 62282600	Stbd. Seat
24 62282700	Port Seat
25 62282800	Cover Locker Stbd.
26 62282900	Cover Locker Port
27 62283000	Hold Down Cleat
28 15059000	Cuddy Trim Set
29 4301530	Red Striping Tape
30 44013700	Boot Stripe Paint (1 Qt.)
31 12280000	Mainsheet Block w/Cam Cleat
32 12279900	Mainsheet Becket Block
33 12279800	Mainsheet Blocks Attached to Boom
34 12197310	Hull Identification Number Plate
35 12275400	Harpoon Decal
36 12281000	Mainsail
37 15059100	Battens
38 12281100	Jib
39 15059200	Locker Cover Hold-Down
40 62285300	Boom/Mast Crutch (not shown)
41 15059300	Centerboard Assembly Complete All Parts
42 22275600	Centerboard Blade
43 12283400	Centerboard Stop
44 12275700	Pivot Casting
45 43025800	Rope, 3/8" Braided Dacron
46 82061100	Screws, Machine 1/4-20 x 1 1/2 Flt. Hd.
47 15059400	Rudder Head/Blade Assembly Complete All Parts
48 12276500	Rudder Head
49 22288700	Rudder Blade
50 1228200	Tiller
51 62285400	Tiller Plug
52 43025900	Shock Cord
53 12285100	Clam Cleat
54 43026000	Rope
55 12285200	Sheave
56 12284200	Hiking Stick
57 12284400	Clip
58 12284300	Spacer
59 82284100	Bolts/Nuts



- 2 12281702 Boom (shown)
- 3 12281705 Main Halyard
- 4 12281706 Jib Halyard
- 5 12281707 Mainsheet
- 6 12281708 Jib Sheet
- 7 12281709 Jiffy Reef Line
- 8 12281710 Outhaul
- 9 12281711 Cunningham
- 10 12281712 Downhaul
- 11 12281713 Boom Vang (shown)

Running Rigging Set

- 12 12281703 Headstay
- 13 12281704 Shroud (Port)
- 14 12281704 Shroud (Stbd.)

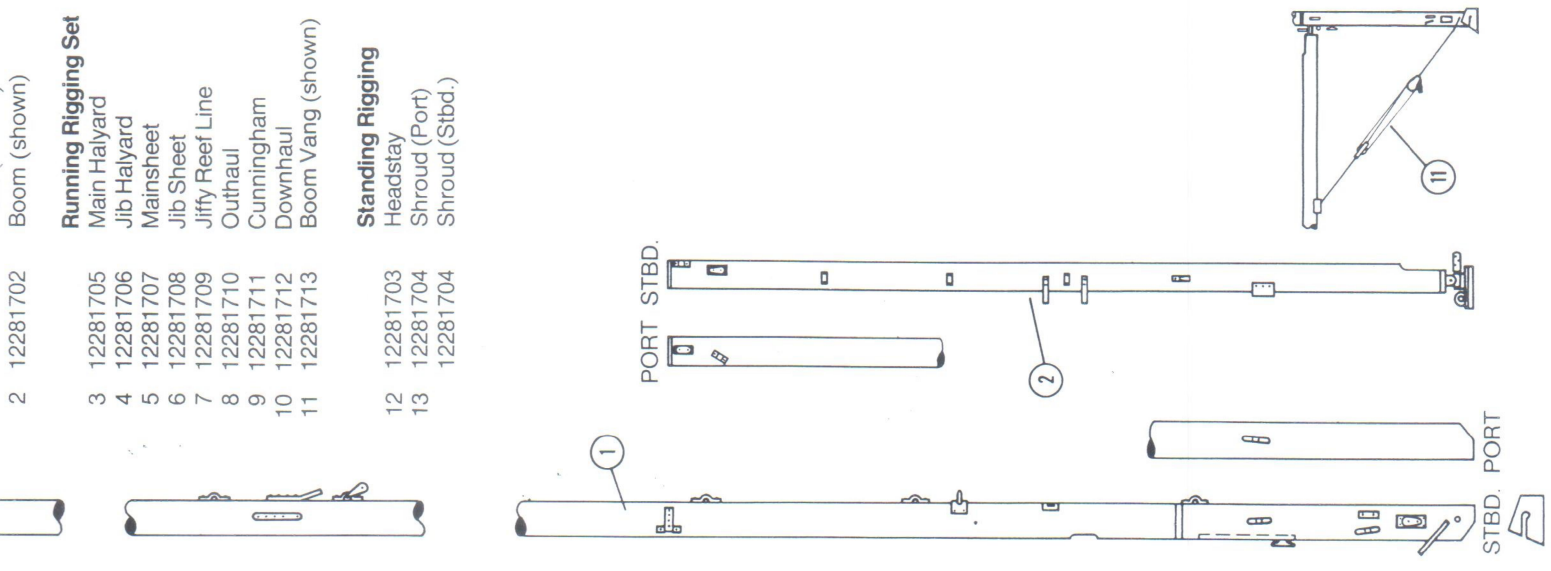
Standing Rigging

- 15 12281703 Headstay
- 16 12281704 Shroud (Port)
- 17 12281704 Shroud (Stbd.)

- Jib Halyard: 1/4" braid; 31' 6" / rope-wire splice / 3/32" wire, 17' 3 1/2" / 3/32 Nico thimble / shackle
 - Mainsheet: 3/8" braid; 30' 6"
 - Jib Sheet: 5/16" braid; 22' 0"
 - Jiffy Reef Line: 3/16" braid; 14' 1"
 - Outhaul: 3/16" braid; 9' 9 1/2"
 - Cunningham: 1/4" braid; 5' 9"
 - Downhaul: 1/4" braid; 3' 4"
- Spinnaker package**
- Qty**
- 3 Swivelblocks
 - 1 Spinnaker pole / 6' 5" / black anodized
 - 1 Spinnaker halyard / 1/4" braid (blue); 44' 0" / Samson eyesplice / shackle
 - 2 Spinnaker sheets / 1/4" braid (blue); 34' 0"
 - 1 Pole downhaul / 1/4" braid; 10' 9" / Samson eyesplice / shackle
 - 1 Pole lift / 5/16" nylon shock cord, 4' 5" / shackle

Standing rigging set

- Forestay: 1/8" (1 x 19), 18' 1" (measured w/turnbuckle fully closed), clevis & cotter pin, fork end
- Shrouds: (port and starboard) 1/8" (1 x 19), 17' 8 5/8", cotter & clevis pin, fork end, shroud tensioners.



- (1) A Limited Ten-Year Warranty for the Hull Structure;
 - (2) A Limited Two-Year Warranty for Accessories supplied by Boston Whaler, Inc.
 - (3) A Limited One-Year Warranty for Cosmetic Finishes.
1. Boston Whaler, Inc. provides each new boat with a warranty registration card which must be filled out and mailed to Boston Whaler, Inc., promptly after purchase, to help us fulfill our service obligations to our customers, and our legal obligations of the Federal Boat Safety Act. FAILURE TO COMPLETE AND RETURN THE WARRANTY REGISTRATION CARD WITHIN 30 DAYS OF DELIVERY OF YOUR BOAT TO YOU MAY VOID THE WARRANTY.
2. Boston Whaler, Inc. warrants each Boston Whaler hull manufactured by Boston Whaler, Inc. to be free from structural defects due to substandard material and workmanship, under conditions of normal use and service, for a period of ten years from the date of manufacture.
3. Accessories supplied by Boston Whaler, Inc., whether or not manufactured by Boston Whaler, Inc., are warranted against defective workmanship or materials for a period of two years from date of delivery to the original purchaser.
4. Boston Whaler, Inc. warrants each hull supplied by Boston Whaler, Inc. to be free from cosmetic defects due to substandard materials or workmanship, under conditions of normal use and service, for a period of one year from date of delivery to the original purchaser.
5. None of the foregoing hull and accessory warranties applies to any Boston Whaler boat which has been structurally altered, subjected to unreasonable use, negligence or accident.
6. The obligation of Boston Whaler, Inc. under these warranties is limited to repairing or replacing, within a reasonable time, such boat or part which shall, within the warranty period and to the satisfaction of Boston Whaler, Inc. in its sole discretion, be determined to have been defective in material or workmanship. Replacement or reimbursement for such boat or part will be prorated for use according to the portion of the warranty period elapsed when the claim is made. Boston Whaler, Inc. may require such boat or part to be returned to an authorized dealer or the factory for examination, transportation charges prepaid. Boston Whaler, Inc. will reimburse these charges upon disclosure of a bona fide warranty claim.
- BOSTON WHALER, INC. MAKES NO OTHER EXPRESS WARRANTIES, AND INTENDS NO IMPLIED WARRANTIES. IF ANY IMPLIED WARRANTIES BE FOUND TO EXIST, SUCH IMPLIED WARRANTIES WILL BE SUBJECT TO THE TIME LIMITS APPEARING AT THE TOP OF THIS WARRANTY.
- BOSTON WHALER, INC. WILL NOT BE LIABLE FOR CONSEQUENTIAL DAMAGES OF ANY KIND RESULTING FROM A BREACH OF ANY WARRANTY EXPRESSED OR IMPLIED.
7. Boston Whaler, Inc. reserves the right to improve its products through changes in design or material without obligation to incorporate such changes on boats of prior manufacture.
8. To initiate a warranty claim, it is the responsibility of the purchaser to contact an authorized Harpoon dealer within a reasonable time after discovery of the defect, giving details as to the nature of the problem, hull identification number, date of purchase and from whom, and circumstances of the defect, and delivering to such dealer the boat with respect to which the warranty claim is made.
9. The structural warranty listed in Paragraph 2 is not limited to the original purchaser. It is transferable to all future owners of the boat.

Harpoon 5.2

Harpoon Sailboats, Boston Whaler, Inc.
1149 Hingham Street, Rockland, MA 02370.